



Standard truss line: HD3 250-D

Type	Size	Tube	Bracing	Material
DUOSYSTEM	250	50x3	25x2	EN-AW 6082 T6

HD3 250-D



mm	kg
250	1,3
500	2,1
1000	3,5
1500	5
2000	6,4
2500	7,9
3000	9,3
3500	10,7
4000	12,2



Standard truss line: HD3 250-D

HD3 250-D C19H			
2 way	45°	horizontal	750 750



weight: 3,2 kg

HD3 250-D C19V			
2 way	60°	vertical	500 500



weight: 3,3 kg

HD3 250-D C20H			
2 way	60°	horizontal	500 500



weight: 3,6 kg

HD3 250-D C20V			
2 way	60°	vertical	500 500



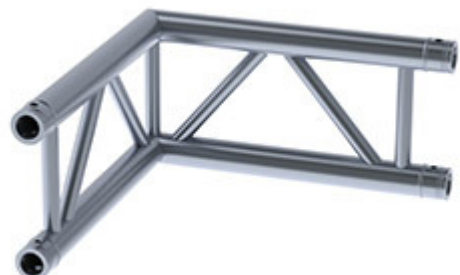
weight: 3,3 kg

HD3 250-D C21H			
2 way	90°	horizontal	500 500



weight: 3,6 kg

HD3 250-D C21V			
2 way	90°	vertical	500 500



weight: 3,4 kg



Standard truss line: HD3 250-D

HD3 250-D C22H			
2 way	120°	horizontal	500
			500



weight: 3,1 kg

HD3 250-D C22V			
2 way	120°	vertical	500
			500



weight: 3,4 kg

HD3 250-D C23H			
2 way	135°	horizontal	500
			500



weight: 3,2 kg

HD3 250-D C23V			
2 way	135°	vertical	500
			500



weight: 3,4 kg

HD3 250-D C31H			
3 way	90°	horizontal	500
			500
			500



weight: 4,3 kg

HD3 250-D C31V			
3 way	90°	vertical	500
			500
			500



weight: 4,4 kg



Standard truss line: HD3 250-D

HD3 250-D C35H			
3 way	90°	horizontal	750 500



weight: 3,8 kg

HD3 250-D C35V			
3 way	90°	vertical	950 500



weight: 4,9 kg

HD3 250-D C41H			
4 way	90°	horizontal	750 750



weight: 4,9 kg

HD3 250-D C41V			
4 way	90°	vertical	950 950



weight: 6,5 kg

HD3 250-D C42H			
4 way	90°	horizontal	750 500 500



weight: 5,3 kg

HD3 250-D C42V			
4 way	90°	vertical	950 500 500



weight: 5,9 kg



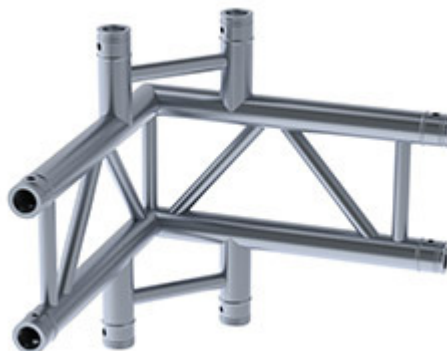
Standard truss line: HD3 250-D

HD3 250-D C44H			
4 way	90°	horizontal	500
			500
			500



weight: 4,7 kg

HD3 250-D C44V			
4 way	90°	vertical	500
			500
			500



weight: 4,6 kg

BP250-D M			
		male	270
			70



weight: 0,6 kg

BP250-D F			
		female	270
			70



weight: 0,9 kg

HD3 250-D CH	
	horizontal



HD3 250-D CV	
	vertical

